

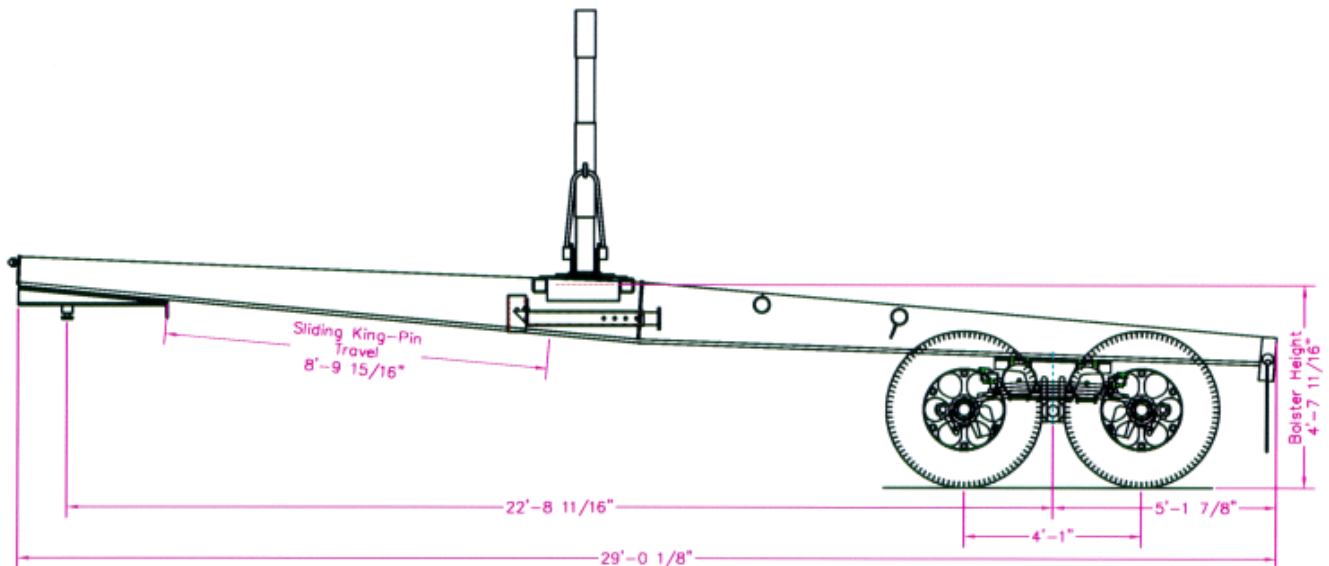
# ARCTIC

## MANUFACTURING LTD.

3323 HART HIGHWAY, PRINCE GEORGE, B.C.  
Phone: (250) 962-9631 Fax: (250) 962-7500



## JC-17 Tandem Axle Log Jeep King-Pin Slide



Features: QT-100 Formed/Enclosed Frame and Cross-members. Multi-Position Traction Slide King-Pin with 480 sq/in UHMW Bushing Area. Floater Rear Suspension Allows Frame to Flex Independent of Inboard Leg Assembly. Rear Suspension is Easily Relocated to Adjust Load Balance Due to Different Tractor Tare Weights. Available with Neway TS Spring Walking Beam Suspensions and Hendrickson HT300 Air-Ride Suspension. Moulded "Bob-Tail" Electrical Cords on Front/Rear Locations. Sintered Bronze Filters on Service and Emergency Air Lines. Low temperature "Arctic Grade" reach air lines. One Piece Sealed Electrical Light Cord. Various Bunk, Bolster, Hub/Drum, Tire and Rims Options.