

# ARCTIC

## MANUFACTURING LTD.

3323 HART HIGHWAY, PRINCE GEORGE, B.C.  
Phone: (250) 962-9631 Fax: (250) 962-7500  
www.arcticmfg.com



## GP14000H 14' Tub Type Tandem Pup



- Extreme Hi-Tensile 130,000 psi Formed Floor and Sides
- 100,000psi Front & Rear Plates
- 72 3/4" Gate Opening.
- 84" Inside Width, 48" High Tail-Gate, 48" Front Bulkhead • A-Frame Lift • 3-Stage/25ton Ram
- 2" Machined Rear Tipping Sill Hinge Pins • Electric Over Air Tail-Gate Trip, Air Tarp and Hydraulic Hi-Lift Gate • Mailhot "Nitrate Coated Main Lift Ram • Reyco Leaf Spring Suspension • D22 5/8" wall Axles •

### Optional Equipment

- Air-Powered Tarp - Available HD Canvas or Nylon Mesh • Ride-well 30,000lb Air Suspension • Standard Gate Opening Optional • Electronic On-Board Scales or Air-Gauge in Control Box • Wheel Options • LED Lights •

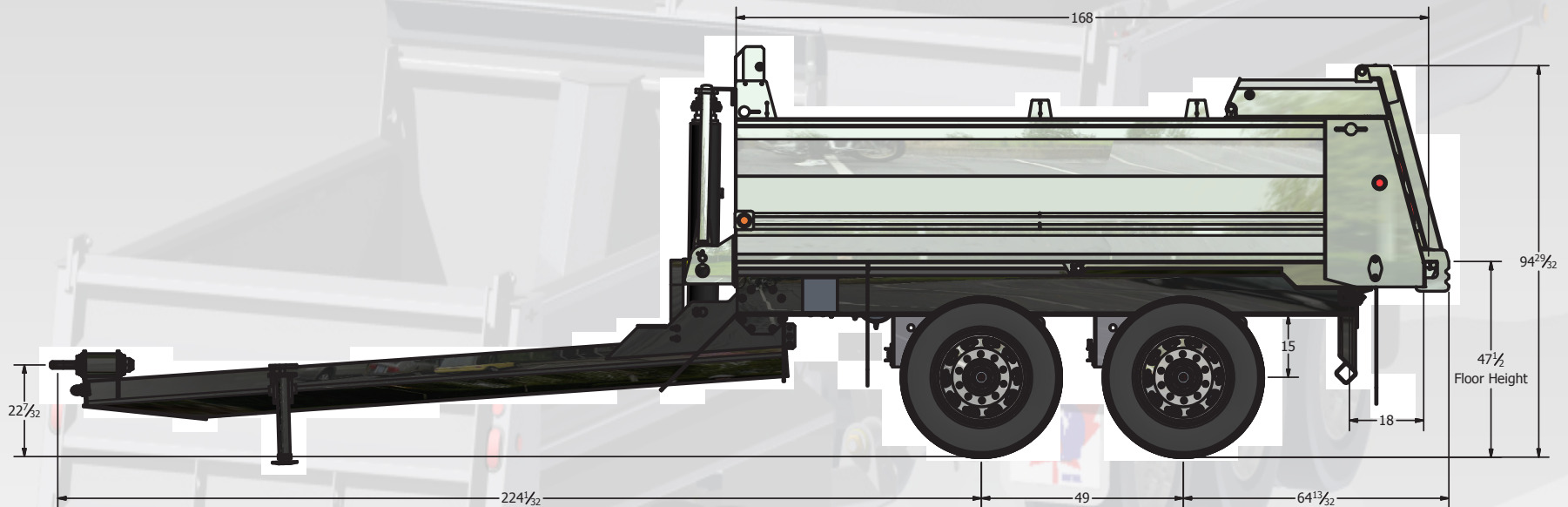
# Specifications

## GP14000H 14' Tandem Pup

### Hydraulic Requirements:

Main Box: 40 gpm @ 2000 psi Max

Hi-Lift: 5 gpm @ 2000 psi Max



### Specs:

Capacity: 14.0 cu/yd

Weight: 3,898 kg (8,608 lb) A-Frame Lift c/w

Hydraulic Hi-Lift.

Tip Angle:  $57^\circ$